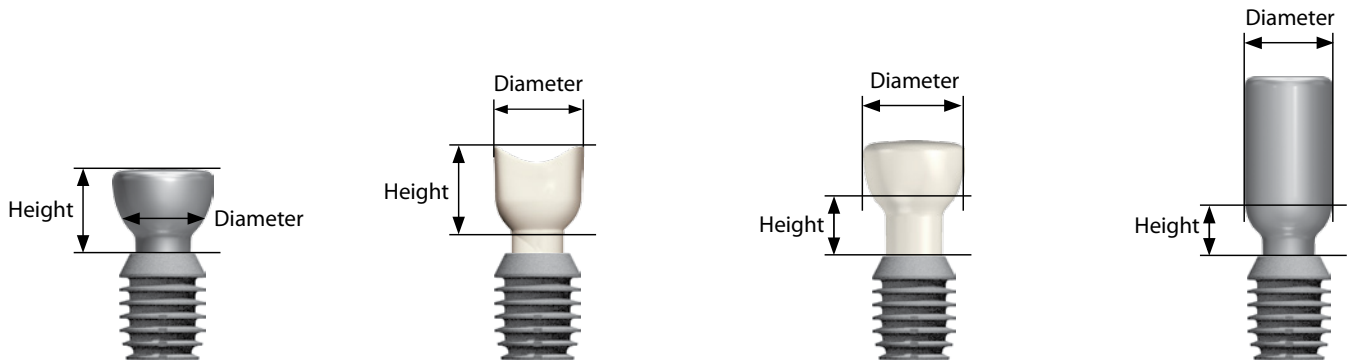
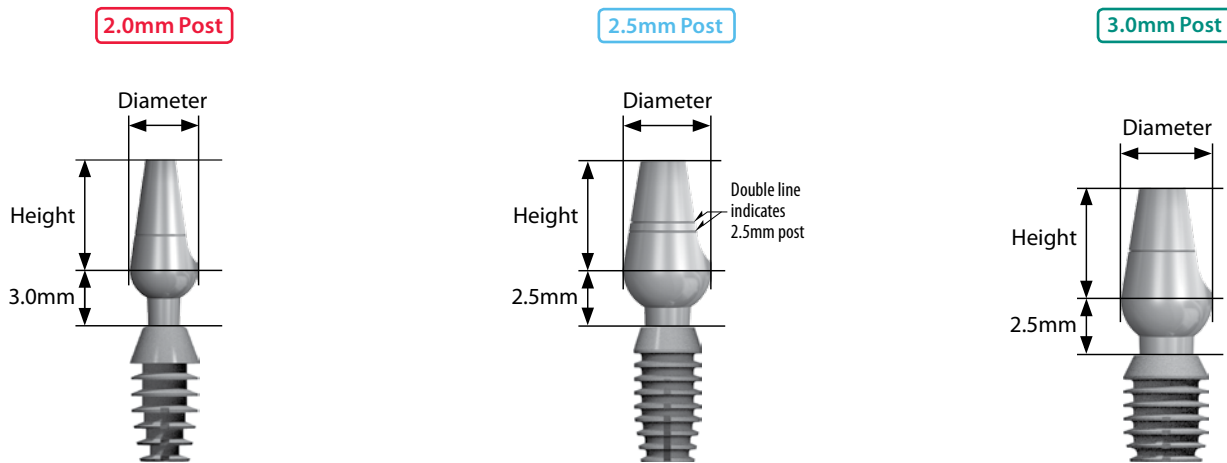


ABUTMENT MEASUREMENT GUIDE

Temporary Abutment	Healing Abutment	Temporary Abutment Extended Post	Laboratory Abutment
--------------------	------------------	----------------------------------	---------------------



Non-Shouldered Abutment



Stealth Abutment	Fixed-Detachable Abutment	Brevis™ Abutment	Locator® Abutment
------------------	---------------------------	------------------	-------------------

